



SaniStation®

Infection Control that works in Healthcare

PART OF
**POINTER
GROUP**

Face Mask Dispensers - Infection Control Units - Sanitisation Stations - Period Products Dispensers



Contents

Face Mask Dispenser	04
Mobile Infection Control Unit	06
Wall-mounted Unit	08
SaniStation® Hub	10
Doff Donn Infection Control Unit	12
Accessories	14
Period Products Dispenser	16
Counter-top Mini	18
Mini Wall-hung	20
Bespoke Images Gallery	22

All lead times and prices are quoted in good faith. The current volatile steel market has created an unpredictable supply chain. We will keep you updated at all stages to ensure expectations are managed. Please speak with the team on 0345 835 8105 if you have any questions.

SaniStation®

Infection control that works with you

From the unique face mask dispenser, to the mobile infection control units and period products dispenser, SaniStation® has grown and is now embedded into the long-term IPC strategy for over 40 healthcare providers across the UK and Ireland. Working with senior nurses and IPC teams we have developed a range that meets the very highest hygiene standards.

By maximising sanitisation and minimising opportunities for cross-contamination, SaniStation® is helping to protect patients, healthcare staff and all site users.

HOLDS OVER
250
MASKS



SaniStation®

Face Mask Dispenser

Ideal for access points & waiting areas.

Unique to SaniStation®, the robust mask dispenser is ideal for healthcare environments, dispensing essential PPE at access points, receptions, waiting areas and other areas of high footfall.

The simple dispensing mechanism, minimises waste and helps to reduce petty theft. When the unit needs to be refilled, replenishing stocks is quick and easy.

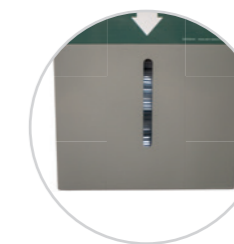
Developed in conjunction with a number of NHS trusts, the unit limits opportunities for cross-contamination of PPE, helping to maintain your hygiene levels and keep staff and visitors safe.

As with most products in the SaniStation® range, the Mask Dispenser can be branded to suit your healthcare organisation's corporate identity.

- ✔ Hygienic and easy to clean.
- ✔ Reduces waste by dispensing one mask per user.
- ✔ Saves time on refilling.
- ✔ 250+ mask capacity.
- ✔ Robust and secure steel construction.
- ✔ Compatible with most disposable masks.
- ✔ Ideal for access points & waiting areas.

NOW AVAILABLE WITH A REFILL VISION PANEL

Flush glazed vision slot for ease of stock monitoring without removing the cover.



Product	Code	Price (Exc. VAT)
Face Mask Dispenser	SaniFMD1	£140.00
Face Mask Dispenser - with Vision Panel*	SaniFMD1vp	£150.00

*MOQ applies. All prices exclude shipping - calculated per order and charged at cost.



Speak to us about your requirements - we'll call, visit and design a bespoke solution.
0345 835 8105 - info@sani-station.co.uk - www.sani-station.co.uk

We manufacture every SaniStation® Mobile Infection Control Unit to our customers' requirements.



1. Select single or double sided

Start by determining if you need a single or double sided mobile unit.

2. Design your messaging

Add your branding or IPC messaging to the large, easy-clean back panel(s).

3. Choose your accessories

Select from our comprehensive range of proven accessories to configure a SaniStation® unit suitable for your needs.

We've helped customers design multiple versions of their Mobile SaniStations for specific uses across their hospitals. For example; masks and hand gel accessories for entrance units and visor troughs, wipes dispensers and bottle holders for ward units.



If you can't see an accessory that would fulfil your requirement please let us know and we can work to design something bespoke for you.

SaniStation® Mobile Infection Control Unit

Ideal for entrances, high traffic areas & wards.

This single or double-sided unit is ideal for building entrances, high-traffic areas and wards. The Mobile Infection Control Unit provides a unique opportunity to design the perfect highly visible solution to specific IPC scenarios across your site.

Designed to ensure all site users comply with mandatory sanitisation and personal protection regimes, these heavy duty units are now hugely popular across the UK & Ireland.

As with most products in the SaniStation® range, the Mobile Infection Control Unit can be branded to suit your healthcare organisation's corporate identity.

- ✔ Save space with minimal footprint.
- ✔ Single or double-sided
Choose single-sided for a smaller footprint.
- ✔ Easy-clean back panel.
- ✔ Bespoke printed for communicating key messages.
- ✔ Accessorise to your specific IPC requirement.
- ✔ Mobile and versatile.

***We regularly fit our clients' own Gel Dispensers - speak to one of our team to arrange.**

Speak to us about your requirements - we'll call, visit and design a bespoke solution.
0345 835 8105 - info@sani-station.co.uk - www.sani-station.co.uk

Product(s)	Code	Price (Exc. VAT)
Mobile Infection Control Unit - single sided	SaniHD3	£548.00
Mobile Infection Control Unit - double sided	SaniHD2	£665.00

Accessory	Code	Price (Exc. VAT)
Face Mask Dispenser	SaniFMD1	£140.00
Visor Trough	SaniVisorTrough	£33.00
Thermometer Holder	SaniThermoHolder	£17.00
Wipes Holder	SaniWipesHolder	£33.00
Gloves Dispenser	SaniGlovesDispenser	£68.00
Drinks Bottle Holder	SaniBottleHolder	£26.00
Apron Dispenser	SaniApronDispenser	£66.00
Gown Holder	SaniGownHolder	£68.00
Drawer Unit	SaniDrawer	£350.00
Auto Gel Dispenser*	AutoDispenser	£78.00
Auto Dispenser Drip Tray	AutoDispenserDripTray	£3.90
Manual Gel Dispenser*	ManualDispenser	£23.00
A4 Clip Frame	A4ClipFrame	£10.00
Shelf Standard	SaniShelf	£26.00
Canted Shelf	SaniCantedShelf	£26.00
Pedal Bin - 87L Grey	SaniPBin87G	£127.00
Pedal Bin - 87L Yellow	SaniPBin87Y	£127.00

All prices exclude shipping - calculated per order and charged at cost.



We manufacture every SaniStation® Wall-mounted Unit to our customers' requirements.



1. Select Maxi or Midi dimensions

Start by determining if you need a Maxi or Midi back panel.

2. Design your messaging

Add your branding or IPC messaging to the easy-clean back panel.

3. Choose your accessories

Select from our comprehensive range of proven accessories to configure a SaniStation unit suitable for your need.

We've helped customers design multiple versions of their Wall-Mounted SaniStations for specific uses across their hospitals. For example; masks and hand gel accessories for entrance units and visor troughs, wipes dispensers and bottle holders for ward units.



If you can't see an accessory that would fulfil your requirement please let us know and we can work to design something bespoke for you.

SaniStation® Wall-mounted Unit

Ideal for locating in corridors, assessment rooms & private wards where space is limited.

The wall-mounted SaniStation® is designed for site entrances and access points. The highly visual unit helps to protect site visitors, staff and patients, by providing easy and secure access to essential sanitisation materials and PPE. The wall-mounted unit facilitates site management best practice and saves staff time by reducing the need to monitor site entrances.

As with most products in the SaniStation® range, this entrance wall unit can be branded to suit your healthcare organisation's corporate identity.

- ✔ Available in two sizes:
 - MIDI size - 600 x 1200mm
 - MAXI size - 600 x 1700mm
- ✔ Easy-clean back panel.
- ✔ Highly visible bespoke print
- ✔ Accessorise to your requirements.

*We regularly fit our clients' own Gel Dispensers - speak to one of our team to arrange.

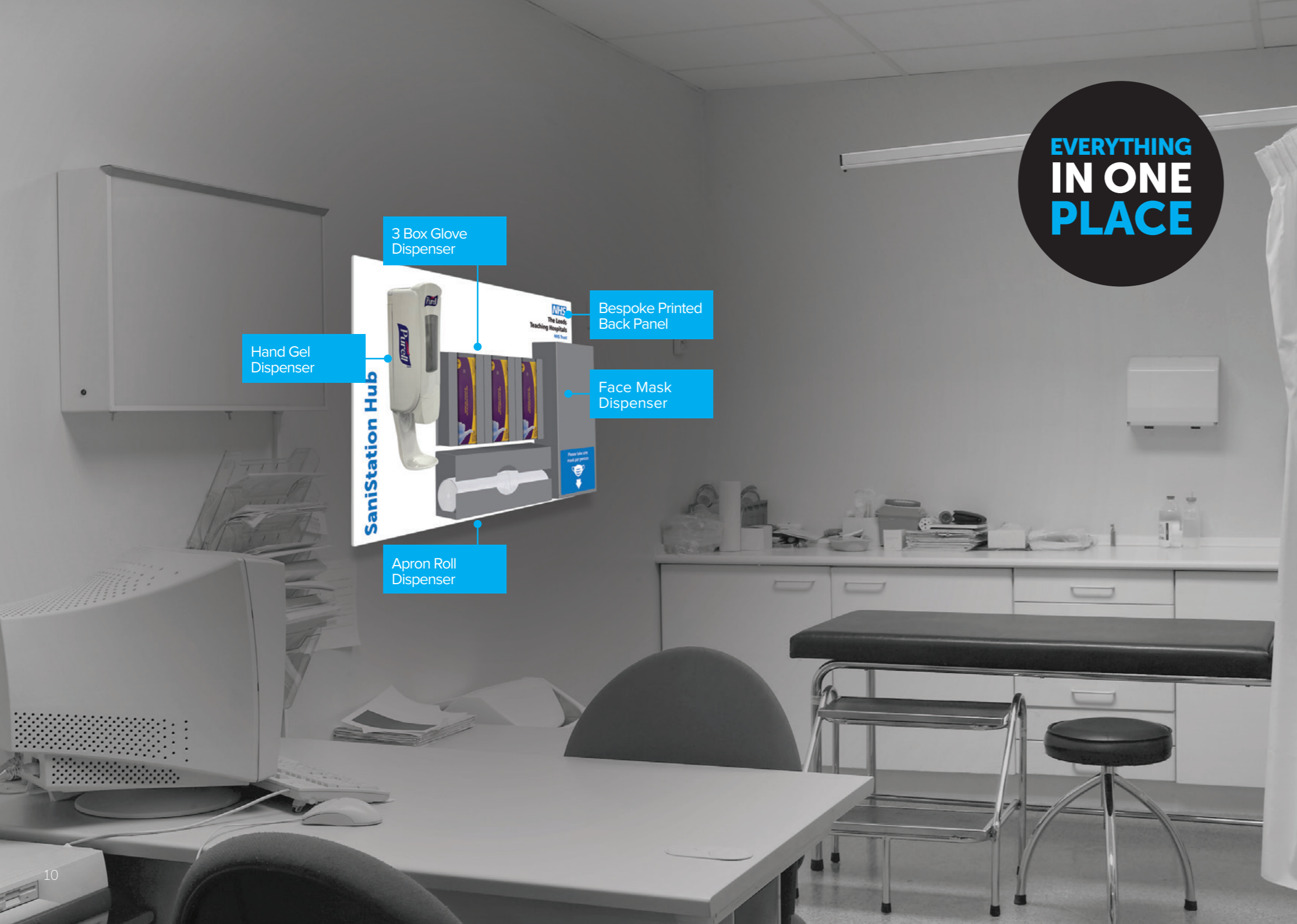
Speak to us about your requirements - we'll call, visit and design a bespoke solution.
0345 835 8105 - info@sani-station.co.uk - www.sani-station.co.uk

Product(s)	Code	Price (Exc. VAT)
Wall Mounted MIDI	SaniMIDI600x1200	£210.00
Wall Mounted MAXI	SaniMAXI600x1700	£250.00

Accessory	Code	Price (Exc. VAT)
Face Mask Dispenser	SaniFMD1	£140.00
Visor Trough	SaniVisorTrough	£33.00
Thermometer Holder	SaniThermoHolder	£17.00
Wipes Holder	SaniWipesHolder	£33.00
Gloves Dispenser	SaniGlovesDispenser	£68.00
Drinks Bottle Holder	SaniBottleHolder	£26.00
Apron Dispenser	SaniApronDispenser	£66.00
Drawer Unit	SaniDrawer	£350.00
Auto Gel Dispenser*	AutoDispenser	£78.00
Auto Dispenser Drip Tray	AutoDispenserDripTray	£3.90
Manual Gel Dispenser*	ManualDispenser	£23.00
A4 Clip Frame	A4ClipFrame	£10.00
Shelf Standard	SaniShelf	£26.00
Canted Shelf	SaniCantedShelf	£26.00
Pedal Bin - 87L Grey	SaniPBin87G	£127.00
Pedal Bin - 87L Yellow	SaniPBin87Y	£127.00

All prices exclude shipping - calculated per order and charged at cost.





**EVERYTHING
IN ONE
PLACE**

Hand Gel
Dispenser

3 Box Glove
Dispenser

Bespoke Printed
Back Panel

Face Mask
Dispenser

Apron Roll
Dispenser

SaniStation® Hub

**Ideal for consultation rooms,
private rooms & nursing stations.**

This wall-mounted unit is designed to present a core requirement of PPE and gel dispensing in one place. Ideal for consultation rooms, private rooms and nursing stations where space is at a premium.

Comprising our steel face mask dispenser, glove dispensers for three sizes, apron dispenser, plus a hand gel dispenser, the SaniStation® Hub is designed to replace existing units that have become obsolete as PPE usage has increased as a part of a post-Covid IPC strategy.

As with all SaniStation® units, the base panel of the SaniStation® Hub is brandable with your logos and messaging. Wall fixings are also supplied.

- ✔ Saves time on refilling.
- ✔ Puts all PPE in one place.
- ✔ Saves space over alternative solutions.
- ✔ Highly visible to reassure patients.
- ✔ Wall-mounted unit (890x640mm).
- ✔ Easy-clean back panel.
- ✔ Easily add branded corporate messaging.
- ✔ Includes: glove dispenser, apron dispenser, mask dispenser & gel dispenser.

Product	Code	Price (Exc. VAT)
SaniStation® Hub	SaniHub890x640	£350.00

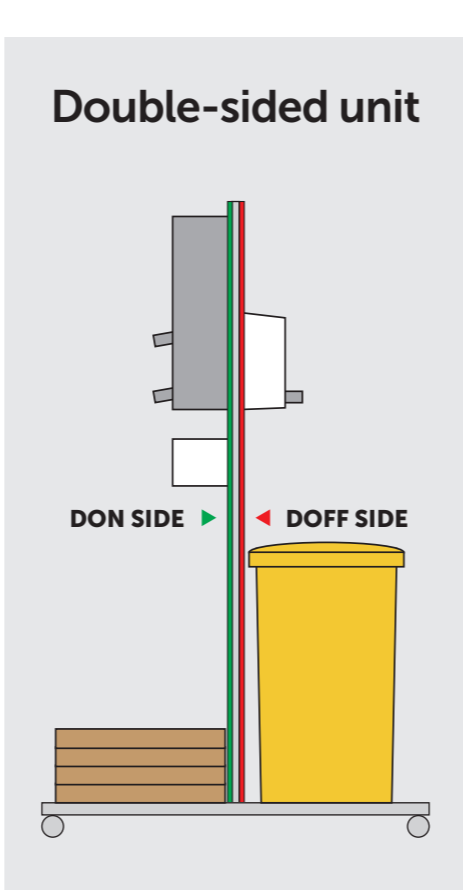


Speak to us about your requirements - we'll call, visit and design a bespoke solution.
0345 835 8105 - info@sani-station.co.uk - www.sani-station.co.uk



Example configuration:
Double Sided Mobile Unit

**DOUBLE
SIDED**



Infection Control that works in Healthcare

Made in Britain

Branded

Bespoke Solutions

SaniStation® Don & Doff Infection Control Unit

Ideal for clinical & medical areas

This double-sided unit is designed for ward areas, providing a Don & Doff Infection Control Unit that protects both your staff team and patients alike. Enables staff to remove all contaminated PPE safely and put on a clean set prior to any patient care routines.

This SaniStation® unit is highly mobile and can be placed in strategic locations on any patient ward or care area, providing infection control where it is needed most.

As an option, the unit can be configured with a mask dispenser to suit FFP3 masks, providing extra protection for areas where aerosol-generating procedures are carried out.

As with most products in the SaniStation® range, the Mobile Infection Control Unit can be branded to suit your healthcare organisation's corporate identity.

- ✔ Single or double sided.
- ✔ Easy-clean back panel.
- ✔ Bespoke corporate print to back panel.
- ✔ Can take all our accessories.

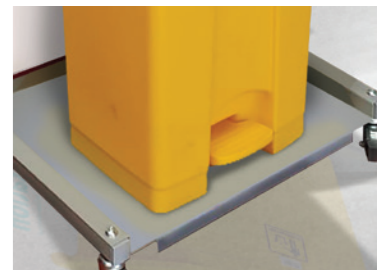
**We regularly fit our clients' own Gel Dispensers - speak to one of our team to arrange.*

Speak to us about your requirements - we'll call, visit and design a bespoke solution.
0345 835 8105 - info@sani-station.co.uk - www.sani-station.co.uk

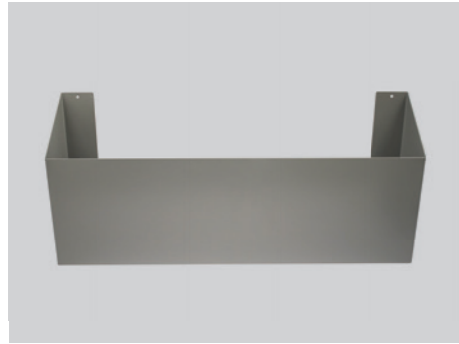
Product(s)	Code	Price (Exc. VAT)
Mobile Infection Control Unit - double sided	SaniHD2	£665.00
Mobile Infection Control Unit - single sided	SaniHD3	£548.00

Accessory	Code	Price (Exc. VAT)
Face Mask Dispenser	SaniFMD1	£140.00
Visor Trough	SaniVisorTrough	£33.00
Thermometer Holder	SaniThermoHolder	£17.00
Wipes Holder	SaniWipesHolder	£33.00
Gloves Dispenser	SaniGlovesDispenser	£68.00
Drinks Bottle Holder	SaniBottleHolder	£26.00
Apron Dispenser	SaniApronDispenser	£66.00
Gown Holder	SaniGownHolder	£68.00
Drawer Unit	SaniDrawer	£350.00
Auto Gel Dispenser*	AutoDispenser	£78.00
Auto Dispenser Drip Tray	AutoDispenserDripTray	£3.90
Manual Gel Dispenser*	ManualDispenser	£23.00
A4 Clip Frame	A4ClipFrame	£10.00
Shelf Standard	SaniShelf	£26.00
Canted Shelf	SaniCantedShelf	£26.00
Pedal Bin - 87L Grey	SaniPBin87G	£127.00
Pedal Bin - 87L Yellow	SaniPBin87Y	£127.00

All prices exclude shipping - calculated per order and charged at cost.

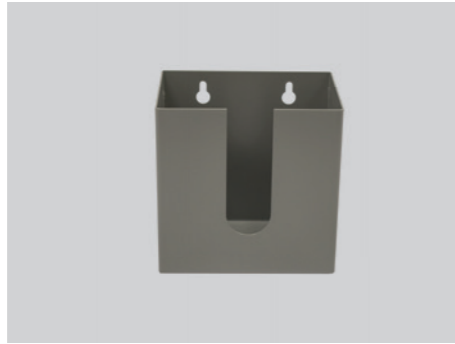


SaniStation® Accessories



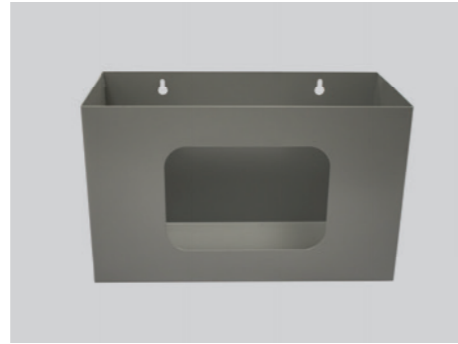
Visor Trough

- ✔ For holding flat pack face shields
- ✔ Useful for folders and clip boards
- ✔ Fits Mobile Infection Control Unit, wall-mounted units or direct to wall



Thermometer Holder

- ✔ Fits up to 2 digital thermometers and cases
- ✔ Easy clean design
- ✔ Fits Mobile Infection Control Unit, wall-mounted units or direct to wall



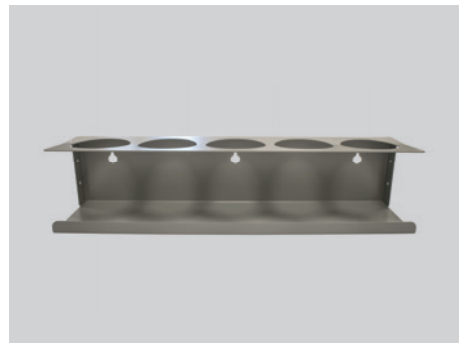
Wipes Holder

- ✔ For dispensing standard 200 pack wipes
- ✔ Fits Mobile Infection Control Unit, wall-mounted units or direct to wall



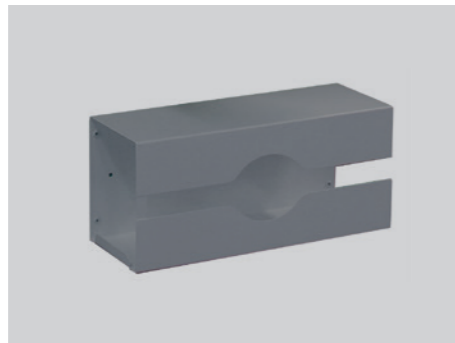
Gloves Dispenser

- ✔ Three box gloves dispenser
- ✔ Fits Mobile Infection Control Unit, wall-mounted units or direct to wall



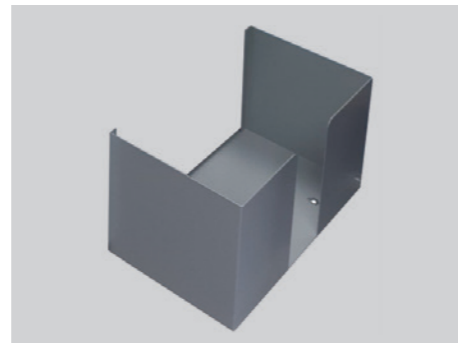
Drinks Bottle Holder

- ✔ With 5 bottle capacity
- ✔ Fits to face or rear of Mobile Infection Control Unit, wall-mounted units or direct to wall



Apron Dispenser

- ✔ Heavy duty apron roll dispenser
- ✔ Fits Mobile Infection Control Unit, wall-mounted units or direct to wall



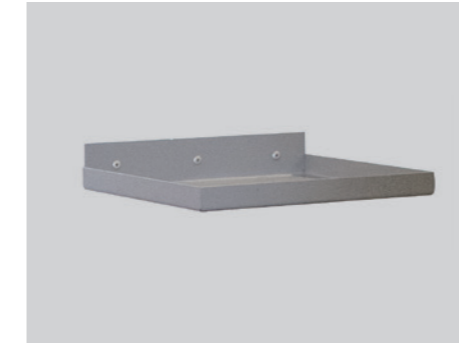
Gown Holder

- ✔ Holder for large gown packs
- ✔ Fits Mobile Infection Control Unit



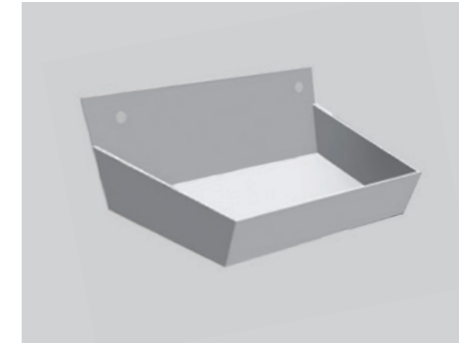
Auto Gel Dispenser (800ml) Auto Dispenser Drip Tray Manual Gel Dispenser (800ml)

Use our dispensers or supply your own dispensers.



Standard Shelf

- ✔ Straight metal shelf with edge upstand
- ✔ Designed to hold up to 2 glove or mask boxes



Canted Shelf

- ✔ Angled metal shelf with edge upstand
- ✔ Designed to hold up to 2 glove or mask boxes



Drawer Unit

- ✔ 4 drawer, side access tray unit
- ✔ Fits Gratnell style tray



Pedal Bin – 87L

- ✔ Large pedal operated plastic bin
- ✔ Available in Grey and Yellow
- ✔ Fits Mobile Infection Control Unit

Accessory	Code	Price (Exc. VAT)
Visor Trough	SaniVisorTrough	£33.00
Thermometer Holder	SaniThermoHolder	£17.00
Wipes Holder	SaniWipesHolder	£33.00
Gloves Dispenser	SaniGlovesDispenser	£68.00
Drinks Bottle Holder	SaniBottleHolder	£26.00
Apron Dispenser	SaniApronDispenser	£66.00
Gown Holder	SaniGownHolder	£68.00
Drawer Unit	SaniDrawer	£350.00
Auto Gel Dispenser*	AutoDispenser	£78.00
Auto Dispenser Drip Tray	AutoDispenserDripTray	£3.90
Manual Gel Dispenser*	ManualDispenser	£23.00
A4 Clip Frame	A4ClipFrame	£10.00
Shelf Standard	SaniShelf	£26.00
Canted Shelf	SaniCantedShelf	£26.00
Pedal Bin – 87L Grey	SaniPBin87G	£127.00
Pedal Bin – 87L Yellow	SaniPBin87Y	£127.00

*We regularly fit our clients' own Gel Dispensers - speak to one of our team to arrange. All prices exclude shipping - calculated per order and charged at cost.

Speak to us about your requirements - we'll call, visit and design a bespoke solution.
0345 835 8105 - info@sani-station.co.uk - www.sani-station.co.uk



**ROBUST &
HYGIENIC**

SaniStation®

Period Products Dispenser

The safe provision of sanitary pads and tampons.

The Period Products Dispenser was born from working closely with NHS Scotland on their Period Poverty campaign. The brief was to design a free-dispense solution that makes sanitary products available in a way that limits cross contamination, waste and theft.

The simple dispensing mechanism allows for one pad or tampon to be taken at a time whilst minimising the chance of contaminating the next product in the dispenser.

The fully enclosed unit is very easy to clean and complies with all IPC protocols, it's also very quick to assess stock and simple to refill.

As with most products in the SaniStation® range, the Period Products Dispenser can be branded to suit your healthcare organisation's corporate identity.

- ✔ Hygienic and easy to clean.
- ✔ Minimises cross contamination.
- ✔ Complies with all IPC protocols.
- ✔ Reduces waste and theft.
- ✔ Robust and secure metal construction.
- ✔ High capacity.
- ✔ Easy to monitor stock and refill.
- ✔ Brandable with your logos and messaging.
- ✔ Simple to install.
- ✔ Free dispense – no transactional elements included.

Product	Code	Price (Exc. VAT)
Period Products Dispenser	SaniFHD	£150.00

All prices exclude shipping - calculated per order and charged at cost.



Speak to us about your requirements - we'll call, visit and design a bespoke solution.
 0345 835 8105 - info@sani-station.co.uk - www.sani-station.co.uk



SaniStation®

Counter-top Mini Single & Double

Ideal for reception, counters and staff areas

Our Counter-top Mini SaniStation® is a cost-effective way to remind your staff and visitors to sanitise hands regularly. Available in Double and Single versions, the Mini can be conveniently located close to higher-risk 'touch points' throughout your Trust or clinic.

As with most products in the SaniStation® range, the Mini Counter-top can be branded to suit your healthcare organisation's corporate identity.

- ✔ Smart & functional design.
- ✔ Designed to fit a wide range of dispenser bottles.
- ✔ Ideal for reception areas and staff areas.

Product	Code	Price (Exc. VAT)
Mini Single (one bottle)	SaniStationD1	£18.00
Mini Double (two bottles)	SaniStationD2	£24.00

All prices exclude shipping - calculated per order and charged at cost.



Speak to us about your requirements - we'll call, visit and design a bespoke solution.
 0345 835 8105 - info@sani-station.co.uk - www.sani-station.co.uk

Radiology



Infection Control that works in Healthcare

Made in Britain 

Branded 

Bespoke Solutions 

SaniStation®

Mini Wall-hung

Ideal for corridors, doors & walls

Ideal for areas where a floor-standing or counter-top version is not suitable, the SaniStation® Mini Wall-hung is quick and easy to install, and allows you to locate essential sanitisation stations wherever you need, to protect patients, staff and visitors.

As with most products in the SaniStation® range, the Mini Wall-hung can be branded to suit your healthcare organisation's corporate identity.

- ✔ Smart & functional design.
- ✔ Designed to fit a wide range of dispenser bottles.
- ✔ Ideal for corridors, affixed to walls and doors.

Product	Code	Price (Exc. VAT)
Mini Wall-hung	SaniStationW1	£29.00

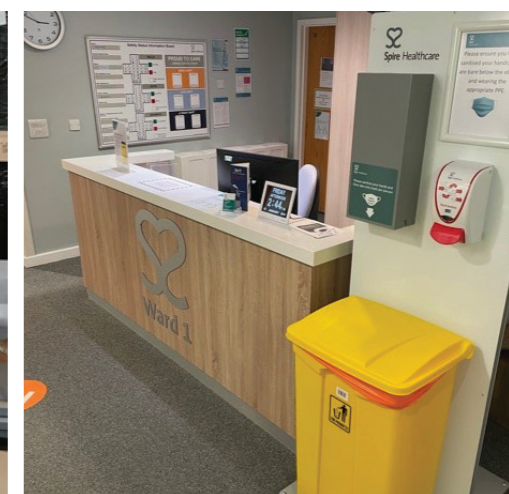
All prices exclude shipping - calculated per order and charged at cost.



Speak to us about your requirements - we'll call, visit and design a bespoke solution.
0345 835 8105 - info@sani-station.co.uk - www.sani-station.co.uk



Infection control that works in healthcare



Speak to us about your requirements - we'll call, visit and design a bespoke solution.
 0345 835 8105 - info@sani-station.co.uk - www.sani-station.co.uk

SaniStation[®]

Infection Control that works in Healthcare

0345 835 8105
info@sani-station.co.uk
www.sani-station.co.uk

Adwalton House, Leeds 27 Industrial Estate,
Bruntcliffe Avenue, Morley, Leeds, LS27 0LL

PART OF
**POINTER
GROUP**